

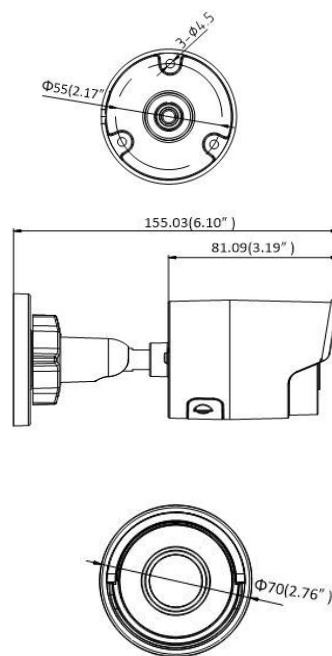
Overview

- 2.0 megapixel resolution
- 3D DNR
- WDR of 120dB
- PoE (Power over Ethernet)
- IR Range up to 30m
- Weather Proof Rating: IP67
- H.265
- Analytics: Line Cross & intrusion detection
- Video Insight VMS license included



Technical Specifications

Device	
Image Sensor:	1/3" Progressive Scan CMOS
Min. Illumination:	0.005 lux @F1.2, AGC ON, 0 lux with IR
Shutter Time:	1/30s to 1/100,000 s
Lens:	6 mm, horizontal field of view: 52°
Wide Dynamic Range	WDR 120dB
Angle of View	52°
Lens Mount:	M12
Day & Night:	IR cut filter with auto switch
Compression Standard	
Video Compression:	H.265, H.264+, H.264, MJPEG
Bit Rate:	32 Kbps ~ 16 Mbps
Dual Stream:	Yes
Image	
Max. Image Resolution:	1920 × 1080 (2MP)
Frame Rate:	30fps (1920 × 1080, 1280 × 960, 1280×720)
Image Setting:	Saturation, Brightness, Contrast adjustable through client software or web browser, BLC support, Backlight Compensation.
Analytics:	Intrusion detection, Line crossing detection, Motion detection, Dynamic analysis.
Alarm Trigger:	Motion detection, tampering alarm, network disconnect, IP address conflict
Protocols:	TCP/IP, HTTP, DHCP, DNS, DDNS, RTP, RTSP, PPPoE, SMTP, NTP, SNMP, HTTPS, FTP,802.1x, Qos (SIP, SRTP, IPv6 optional)
Security:	User authentication, watermark
Interface	
Communication Interface:	1 RJ45 10 M/100 M Ethernet interface
Reset Button:	Yes
General	
Operating Conditions:	-22° F – 140° F (-30°C-60°C) Humidity 95% or less (non-condensing)
Power Supply:	12 VDC ± 10%, PoE (802.3af)
Power Consumption:	Max. 5W (max. 7W with ICR on)



Technical Specifications

Weather Proof Rating:	IP67
Local Storage:	Built-in Micro SD card slot, up to 256GB
Dimensions:	Φ70 × 155.03 mm (Φ2.76" × 6.1")
Weight:	0.9 lbs (410g)
Software:	Includes Video Insight VMS License
Warranty	4 Year Advanced Replacement