

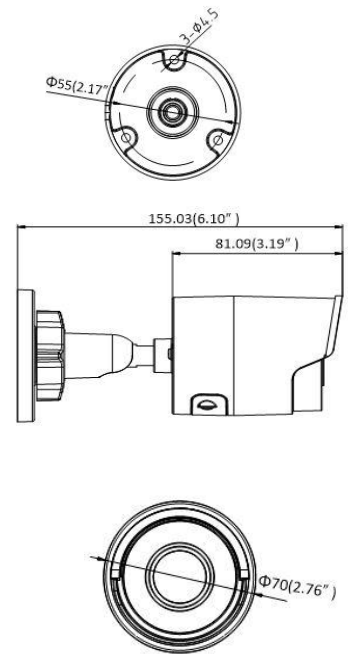
Overview

- 4-megapixel resolution
- 3D DNR
- WDR of 120dB
- PoE (Power over Ethernet)
- IR Range up to 30m
- Weather Proof Rating: IP67
- H.265
- Analytics: Line Cross & intrusion detection
- Video Insight VMS license included



Technical Specifications

Device	
Image Sensor:	1/3" Progressive Scan CMOS
Min. Illumination:	0.01 lux @F1.2, AGC ON, 0 lux with IR
Shutter Time:	1/30s to 1/100,000 s
Lens:	6 mm
Wide Dynamic Range	WDR 120dB
Angle of View	51°H, 29°V, 58°DIAG
Lens Mount:	M12
Day & Night:	IR cut filter with auto switch Wavelength: 850nm
Compression Standard	
Video Compression:	H.265+, H.265, H.264+, H.264
Bit Rate:	256 Kbps ~ 16 Mbps
Dual Stream:	Yes
Image	
Max. Image Resolution:	2688 × 1520
Frame Rate Main Stream:	30fps (2688 × 1520, 2560 × 1440, 2304 × 1296, 1920 × 1080)
Image Setting:	Rotate mode, saturation, brightness, contrast, sharpness adjustable by client software or web browser.
Analytics:	Intrusion detection, Line crossing detection
Alarm Trigger:	Motion detection, tampering alarm, network disconnect, IP address conflict
Protocols:	TCP/IP, HTTP, DHCP, DNS, DDNS, RTP, RTSP, PPPoE, SMTP, NTP, SNMP, HTTPS, FTP, 802.1x, Qos (SIP, SRTP, IPv6 optional)
Security:	User authentication, watermark
Interface	
Communication Interface:	1 RJ45 10 M/100 M Ethernet interface
Reset Button:	Yes
General	
Operating Conditions:	-22° F – 140° F (-30°C-60°C) Humidity 95% or less (non-condensing)
Power Supply:	12 VDC ± 10%, PoE (802.3af)
Power Consumption:	Max. 5W (max. 7.5W with ICR on)



Technical Specifications

Weather Proof Rating:	IP67
Local Storage:	Built-in Micro SD card slot, up to 128GB
IR Range:	(Up To 30 m)
Dimensions:	Φ70 × 155.03 mm (Φ2.76" × 6.1")
Weight:	0.9 lbs. (410g)
Software:	Includes Video Insight VMS License
Warranty	4 Year Advanced Replacement